



◆ 产品特点

- 适用于重载工作环境，如数控机床主轴
- 2路正交输出信号 (A,B)+零位信号
- 分辨率高达3600脉冲
- 外径58mm，轴径10mm

◆ Features

- Application in heavy duty, especially on CNC machine tools spindle
- 2 quadrature output channel (A&B)+index signal
- Resolution up to 3600 cpr
- Housing dia. 58mm, shaft dia. 10mm

◆ 型号说明 Ordering Information

ZSP62 **10** - 001 **G** - **1024** BZ **3** - **5** **L**

<b>轴径</b> Shaft Dia. 10: 10mm	<b>出线方式</b> Connection C: 插座侧出 Radial Plug G: 电缆侧出 Radial Cable	<b>分辨率</b> Resolution 100 200 250 360 400 500 600 1000 1024 1200 1500 2000 2048 2500 3600	<b>零信号宽度</b> Index Width 1: 1T 2: 1/2T 3: 1/4T	<b>工作电压</b> Supply Voltage 5: 5V DC 5-12: 7~12V DC 12-24: 12~24V DC 5-24: 7~24V DC	<b>输出方式 / Output Form</b> E: 电压输出/TTL L: 长线驱动/LineDriver F: 推拉输出/Push-Pull C: 集电极开路NPN Open Collector NPN
-------------------------------------	--	---	--	---	--

备注 / Note:

- 1 下单前请联系销售人员确认型号 / Please contact sales representative to confirm the correctness and availability of the part number
- 2 长线驱动仅5V可选 / Line Driver is only available with 5V option

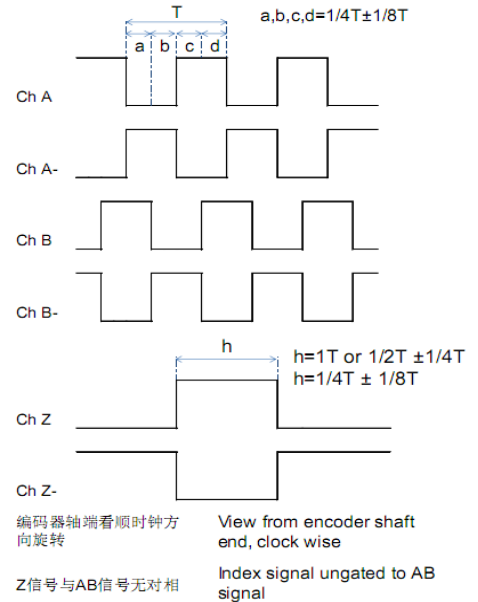
◆ 技术参数 Technical Specifications

参数/Parameter	标准数值/Typ Value	备注/Note
电源电压/supply Voltage	DC 5V / 7~24V (±10%)	*1 最大响应频率受限于最大转速
最大响应频率/Max. Response Frequency	100 kHz	Max. response frequency is gated by max. rotation speed
最大转速/Max. Rotation Speed (*1)	3000 rpm	
最大消耗电流/Max. Current Consumption	120mA (空载/Unloaded)	
最大上升-下降时间/Max. Rise-Fall Time	200ns (长线驱动/Line Driver)	
最大上升-下降时间/Max. Rise-Fall Time	1us (其他输出/Other Output Mode)	
工作温度/Operating Temperature	-20 ~ 85°C (不结冰/unfrozen)	
储存温度/Storage Temperature	-20 ~ 85°C (不结冰/unfrozen)	
防护等级/IP Rating	IP54	

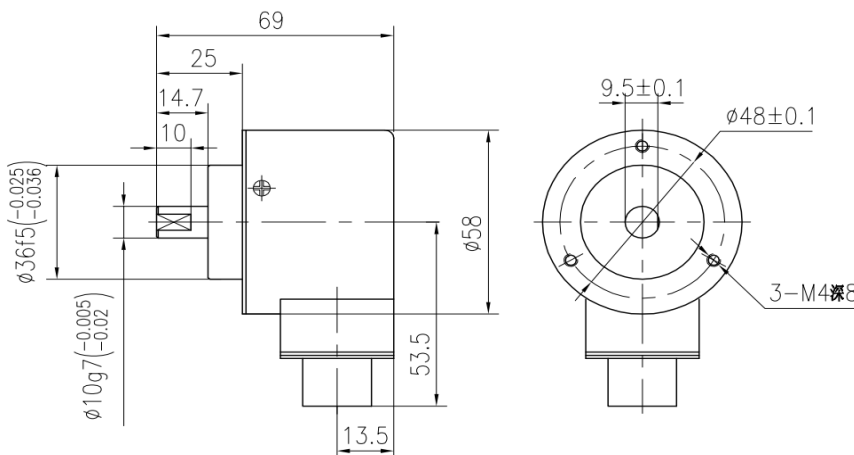
◆ 接线表 Connection Table

接线颜色	红	黑	绿	棕	白	灰	黄	橙	铜网
Wire Color	RD	BK	GN	BN	WH	GY	YE	OG	Shielding
输出信号	Vcc	0V	A+	A-	B+	B-	Z+	Z-	GND
插座号(7芯)	1	4	3	n/a	5	n/a	2	n/a	6
Plug # (7 wire)	1	4	3	n/a	5	n/a	2	n/a	6
插座号(9芯)	1	4	5	7	3	6	2	8	9
Plug # (9 wire)	1	4	5	7	3	6	2	8	9

◆ 输出波形 Output Waveform



◆ 产品尺寸 Dimensions



尺寸单位为毫米，若无特别说明，尺寸公差为±0.5mm  
Dimensions in mm. Unless otherwise stated, tolerance: ± 0.5mm