



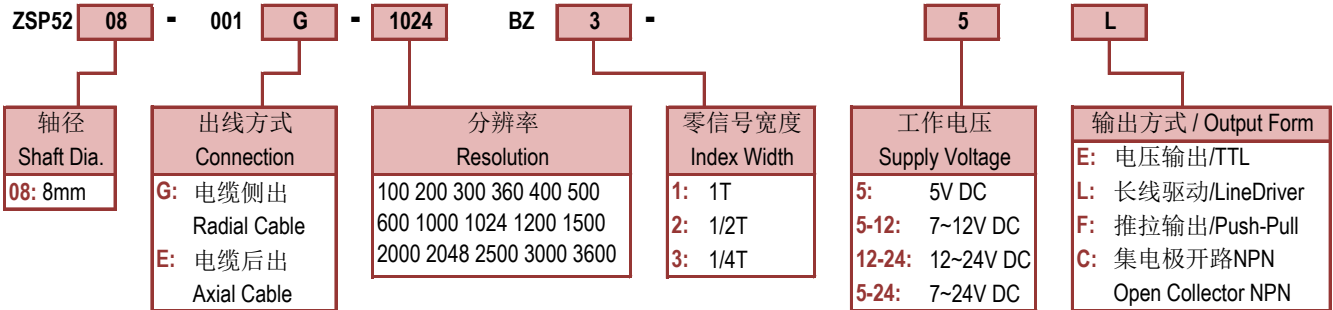
◆ 产品特点

- 体积小、重量轻、安装方便
- 2路正交输出信号 (A,B)+零位信号
- 分辨率高达3600脉冲
- 外径52mm, 轴径8mm

◆ Features

- Miniature size, easy assembling
- 2 quadrature output channel (A&B)+index signal
- Resolution up to 3600 cpr
- Housing size 52mm, shaft dia. 8mm

◆ 型号说明 Ordering Information



备注 / Note:

- 1 下单前请联系销售人员确认型号 / Please contact sales representative to confirm the correctness and availability of the part number
- 2 长线驱动仅5V可选 / Line Driver is only available with 5V DC option.

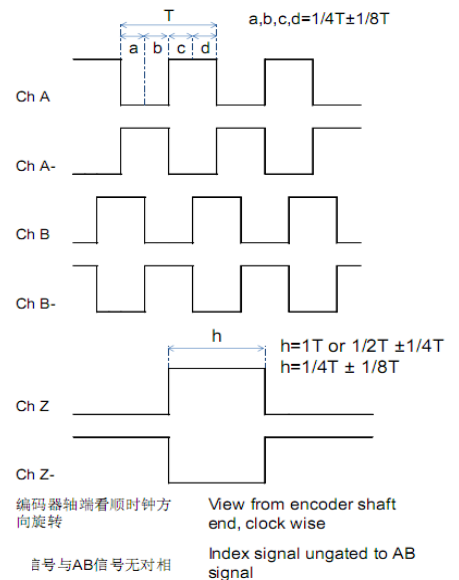
◆ 技术参数 Technical Specifications

| 参数/Parameter                    | 标准数值/Typ Value               | 备注/Note   |
|---------------------------------|------------------------------|---|
| 电源电压/supply Voltage             | DC 5V / 7~24V (±10%)         | *1 最大响应频率受限于最大转速  |
| 最大响应频率/Max. Response Frequency  | 100 kHz                      | Max. response frequency is gated by max. rotation speed |
| 最大转速/Max. Rotation Speed (*1)   | 3000 rpm                     |   |
| 最大消耗电流/Max. Current Consumption | 120mA (空载/Unloaded)          |   |
| 最大上升-下降时间/Max. Rise-Fall Time   | 200ns (长线驱动/Line Driver)     |   |
| 最大上升-下降时间/Max. Rise-Fall Time   | 1us (其他输出/Other Output Mode) |   |
| 工作温度/Operating Temperature      | -20 ~ 85°C (不结冰/unfrozen)    |   |
| 储存温度/Storage Temperature        | -20 ~ 85°C (不结冰/unfrozen)    |   |
| 防护等级/IP Rating                  | IP54                         |   |

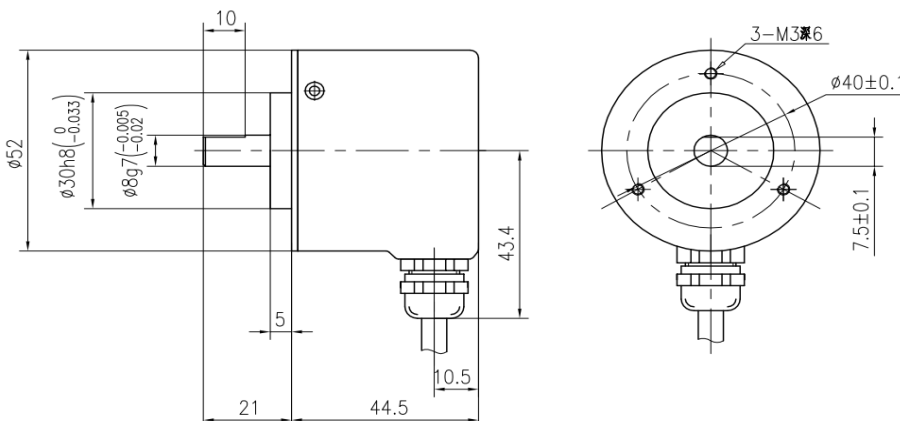
◆ 接线表 Connection Table

| 接线颜色<br>Color of Lead Wire        | 绿<br>GN | 白<br>WH | 黄<br>YE | 红<br>RD | 黑<br>BK | 屏蔽线<br>Shield | 棕<br>BN | 灰<br>GY | 橙<br>OG |
|-----------------------------------|---------|---------|---------|---------|---------|---------------|---------|---------|---------|
| 输出信号-长线驱动<br>Output- Line Driver  | A+      | B+      | Z+      | Vcc     | 0V      | NC            | A-      | B-      | Z-      |
| 输出信号-其他输出<br>Output- Other Output | A       | B       | Z       | Vcc     | 0V      | NC            | n/a     | n/a     | n/a     |

◆ 输出波形 Output Waveform



◆ 产品尺寸 Dimensions



尺寸单位为毫米, 若无特别说明, 尺寸公差为±0.5mm

Dimensions in mm. Unless otherwise stated, tolerance: ± 0.5mm