



◆ 产品特点

- 适用于重载工作环境，如数控机床主轴
- 2路正交输出信号 (A,B)+零位信号
- 分辨率高达4096脉冲
- 法兰安装，尺寸68*68

◆ Features

- Application in heavy duty, especially on CNC machine tools spindle
- 2 quadrature output channel (A&B)+index signal
- Resolution up to 4096 cpr
- Flange dimension 68*68

◆ 型号说明 Ordering Information

| | | | | | | | | |
|------------------------------|--------------------------------------|---|---|---|--------------------------------|---|---|---|
| 轴径 Shaft Dia. FM: 15mm | 分辨率 Resolution A-500 A4-600 | 工作电压 Supply Voltage 5: 5V DC 4: 7~24V DC | 输出方式 Output Form E: 电压输出/TTL L: 长线驱动/Line Driver F: 推拉输出/ Push-Pull C: 集电极开路/ Open Collector NPN | 零信号宽度 Index Width 1: 1T 2: 1/2T 3: 1/4T | 芯数 Wire Qty 1: 7 3: 9 | 出线方式 Connection C: 插座 Plug G: 电缆 Cable | 电缆长度 Cable Length N: 3m P: 4m Q: 6m O: 插座 Plug | 轴长、键槽 Shaft Length&Slot 1: 25mm通槽/ through slot 2: 30mm闷槽/ blind slot 3: 25mm闷槽/ blind slot |
|------------------------------|--------------------------------------|---|---|---|--------------------------------|---|---|---|

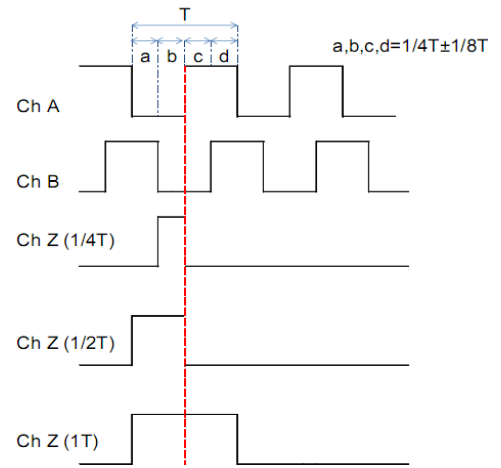
备注 / Note:

- 1 下单前请联系销售人员确认型号 / Please contact sales representative to confirm the correctness and availability of the part number
- 2 长线驱动仅5V可选 / Line Driver is only available with 5V option
- 3 500, 600, 1024脉冲，零信号宽度1T不可选 / 500, 600, 1024 cpr is not available with index width 1T

◆ 技术参数 Technical Specifications

| 参数/Parameter | 标准数值/Typ Value | 备注/Note |
|---------------------------------|------------------------------|---|
| 电源电压/supply Voltage | DC 5V / 7~24V (±10%) | *1 最大响应频率受限于最大转速 |
| 最大响应频率/Max. Response Frequency | 150 kHz | Max. response frequency is gated by max. rotation speed |
| 最大转速/Max. Rotation Speed (*1) | 3000 rpm | |
| 最大消耗电流/Max. Current Consumption | 120mA (空载/Unloaded) | |
| 最大上升-下降时间/Max. Rise-Fall Time | 200ns (长线驱动/Line Driver) | |
| 最大上升-下降时间/Max. Rise-Fall Time | 1us (其他输出/Other Output Mode) | |
| 工作温度/Operating Temperature | -20 ~ 85°C (不结冰/unfrozen) | |
| 储存温度/Storage Temperature | -20 ~ 85°C (不结冰/unfrozen) | |
| 防护等级/IP Rating | IP54 | |

◆ 输出波形 Output Waveform

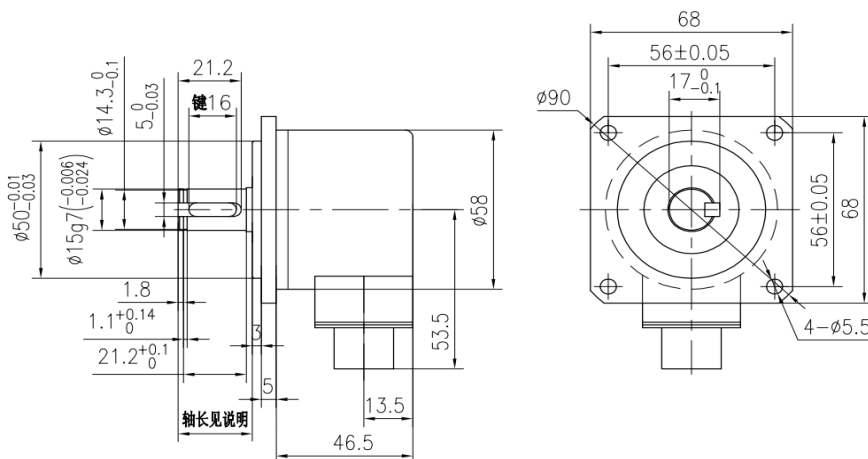


编码器轴端看顺时针方向旋转
View from encoder shaft end, clock wise

◆ 接线表 Connection Table

| 接线颜色 Wire Color | 红 RD | 黑 BK | 绿 GN | 棕 BN | 白 WH | 灰 GY | 黄 YE | 橙 OG | 铜网 Shilding |
|----------------------------|------|------|------|------|------|------|------|------|-------------|
| 输出信号 Output Signal | Vcc | 0V | A+ | A- | B+ | B- | Z+ | Z- | GND |
| 插座号(7芯) Plug # (7 wire) | 1 | 4 | 3 | n/a | 5 | n/a | 2 | n/a | 6 |
| 插座号(9芯) Plug # (9 wire) | 1 | 4 | 5 | 7 | 3 | 6 | 2 | 8 | 9 |

◆ 产品尺寸 Dimensions



尺寸单位为毫米，若无特别说明，尺寸公差为±0.5mm
Dimensions in mm. Unless otherwise stated, tolerance: ± 0.5mm