



◆ 产品特点

- 体积小、重量轻、安装方便
- 2路正交输出信号 (A,B)+零位信号
- 分辨率高达4096脉冲
- 外径52mm, 轴径8mm

◆ Features

- Miniature size, easy assembling
- 2 quadrature output channel (A&B)+index signal
- Resolution up to 4096 cpr
- Housing size 52mm, shaft dia. 8mm

◆ 型号说明 Ordering Information

轴径 Shaft Dia. G: 8mm	分辨率 Resolution A-500 A4-600 AB-900 J-1024 B-1000 A8-1200 AA-1800 T-2000	工作电压 Supply Voltage 5: 5V DC 4: 7~24V DC	输出方式 Output Form E: 电压输出/TTL L: 长线驱动/Line Driver F: 推拉输出/ Push-Pull C: 集电极开路/ Open Collector NPN	零信号宽度 Index Width 1: 1T 2: 1/2T 3: 1/4T	芯数 Wire Qty A4: 5芯 5 wire C6: 8芯 8 wire	电缆长度 Cable Length H: 1.0m K: 1.5m	板簧 Coupling X: 无 N/A
----------------------------	---	---	---	---	--	--	----------------------------

RA52S G - B 4 C 1 - A4 H X

U-2048 AP-3600 AQ-4096

备注 / Note:

- 1 下单前请联系销售人员确认型号 / Please contact sales representative to confirm the correctness and availability of the part number
- 2 长线驱动仅5V可选 / Line Driver is only available with 5V DC
- 3 上表中分辨率背景灰色部分, 零位信号宽度1T不可选 / Resolutions in grey background are NOT available with index width 1T

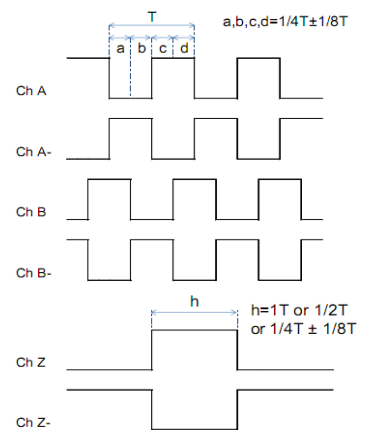
◆ 技术参数 Technical Specifications

参数/Parameter	标准数值/Typ Value	备注/Note
电源电压/supply Voltage	DC 5V / 7~24V (±10%)	*1 最大响应频率受限于最大转速
最大响应频率/Max. Response Frequency	150 kHz	Max. response frequency is gated by max. rotation speed
最大转速/Max. Rotation Speed (*1)	3000 rpm	
最大消耗电流/Max. Current Consumption	60mA (空载/Unloaded)	
最大上升-下降时间/Max. Rise-Fall Time	200ns (长线驱动/Line Driver)	
最大上升-下降时间/Max. Rise-Fall Time	1us (其他输出/Other Output Mode)	
工作温度/Operating Temperature	-20 ~ 85°C (不结冰/unfrozen)	
储存温度/Storage Temperature	-20 ~ 85°C (不结冰/unfrozen)	
防护等级/IP Rating	IP54	

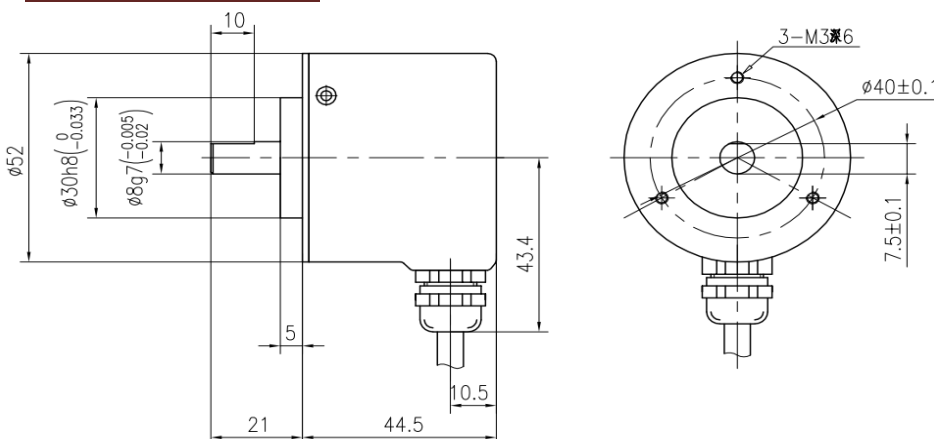
◆ 接线表 Connection Table

接线颜色 Color of Lead Wire	绿 GN	白 WH	黄 YE	红 RD	黑 BK	屏蔽线 Shield	棕 BN	灰 GY	橙 OG
输出信号-长线驱动 Output- Line Driver	A+	B+	Z+	Vcc	0V	NC	A-	B-	Z-
输出信号-其他输出 Output- Other Output	A	B	Z	Vcc	0V	NC	n/a	n/a	n/a

◆ 输出波形 Output Waveform



◆ 产品尺寸 Dimensions



尺寸单位为毫米, 若无特别说明, 尺寸公差为± 0.5mm

Dimensions in mm. Unless otherwise stated, tolerance: ± 0.5mm