



◆ 产品特点

- 体积小、重量轻、安装方便
- 2路正交输出信号 (A,B)+零位信号
- 分辨率高达3600脉冲
- 外径38mm, 轴径6mm

◆ Features

- Miniature size, easy assembling
- 2 quadrature output channel (A&B)+index signal
- Resolution up to 3600 cpr
- Housing size 38mm, shaft dia. 6mm

◆ 型号说明 Ordering Information

|  |   |                         |  |                             |                                |                      |                |    |   |   |
|--|---|-------------------------|--|-----------------------------|--------------------------------|----------------------|----------------|----|---|---|
| RA38S  | E   | -                       | B  | 4                           | C                              | 1                    | -              | A4 | H | X |
| 轴径<br>Shaft Dia.   | 分辨率<br>Resolution   | 工作电压<br>Supply Voltage  | 输出方式<br>Output Form  | 零信号宽度<br>Index Width        | 芯数<br>Wire Qty                 | 电缆长度<br>Cable Length | 板簧<br>Coupling |    |   |   |
| E: 6mm   | E-200 D-300 G-360<br>H-400 A-500 K-512<br>A4-600 AC-625 AD-750 AB-900 | 5: 5V DC<br>4: 7~24V DC | E: 电压输出/TTL<br>L: 长线驱动/Line Driver<br>F: 推拉输出/ Push-Pull<br>C: 集电极开路/ Open Collector NPN | 1: 1T<br>2: 1/2T<br>3: 1/4T | A4: 5芯 5 wire<br>C6: 8芯 8 wire | H: 1.0m<br>K: 1.5m   | X: 无 N/A       |    |   |   |
| AJ-720 A5-800 B-1000 J-1024<br>A8-1200 L-1250 AU-1440 AW-1500 AH-1600 AA-1800<br>T-2000 U-2048 V-2400 W-2500 AM-3000 AP-3600 |   |                         |  |                             |                                |                      |                |    |   |   |

备注 / Note:

- 1 下单前请联系销售人员确认型号 / Please contact sales representative to confirm the correctness and availability of the part number
- 2 长线驱动仅5V可选 / Line Driver is only available with 5V DC
- 3 上表中分辨率背景灰色部分, 零位信号宽度1T不可选 / Resolutions in grey background are NOT available with index width 1T

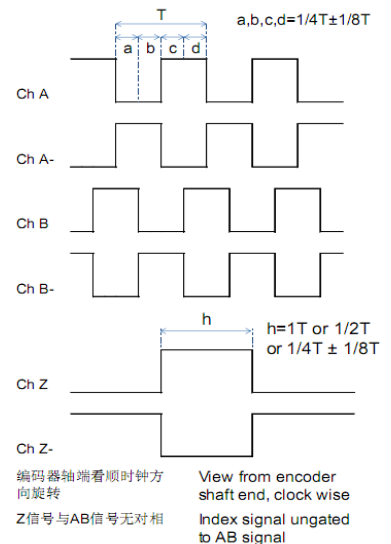
◆ 技术参数 Technical Specifications

| 参数/Parameter                    | 标准数值/Typ Value               | 备注/Note   |
|---------------------------------|------------------------------|---|
| 电源电压/supply Voltage             | DC 5V / 7~24V (±10%)         | *1 最大响应频率受限于最大转速  |
| 最大响应频率/Max. Response Frequency  | 150 kHz                      | Max. response frequency is gated by max. rotation speed |
| 最大转速/Max. Rotation Speed (*1)   | 3000 rpm                     |   |
| 最大消耗电流/Max. Current Consumption | 60mA (空载/Unloaded)           |   |
| 最大上升-下降时间/Max. Rise-Fall Time   | 200ns (长线驱动/Line Driver)     |   |
| 最大上升-下降时间/Max. Rise-Fall Time   | 1us (其他输出/Other Output Mode) |   |
| 工作温度/Operating Temperature      | -20 ~ 85°C (不结冰/unfrozen)    |   |
| 储存温度/Storage Temperature        | -20 ~ 85°C (不结冰/unfrozen)    |   |
| 防护等级/IP Rating                  | IP54                         |   |

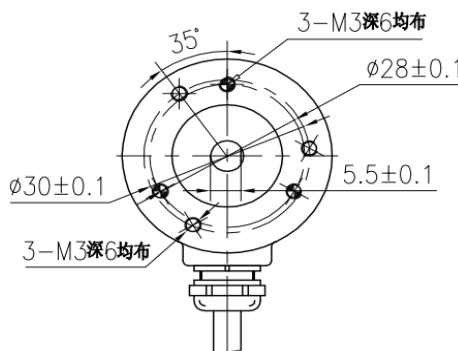
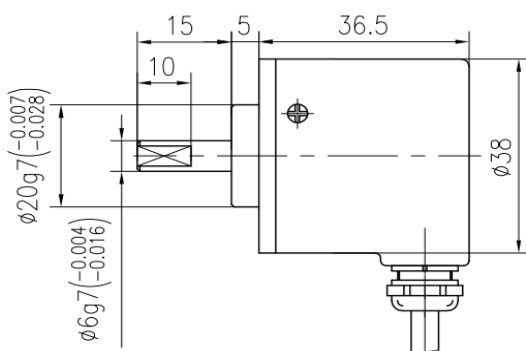
◆ 接线表 Connection Table

| 接线颜色<br>Color of Lead Wire        | 绿<br>GN | 白<br>WH | 黄<br>YE | 红<br>RD | 黑<br>BK | 屏蔽线<br>Shield | 棕<br>BN | 灰<br>GY | 橙<br>OG |
|-----------------------------------|---------|---------|---------|---------|---------|---------------|---------|---------|---------|
| 输出信号-长线驱动<br>Output- Line Driver  | A+      | B+      | Z+      | Vcc     | 0V      | NC            | A-      | B-      | Z-      |
| 输出信号-其他输出<br>Output- Other Output | A       | B       | Z       | Vcc     | 0V      | NC            | n/a     | n/a     | n/a     |

◆ 输出波形 Output Waveform



◆ 产品尺寸 Dimensions



尺寸单位为毫米, 若无特别说明, 尺寸公差为±0.5mm

Dimensions in mm. Unless otherwise stated, tolerance: ± 0.5mm