



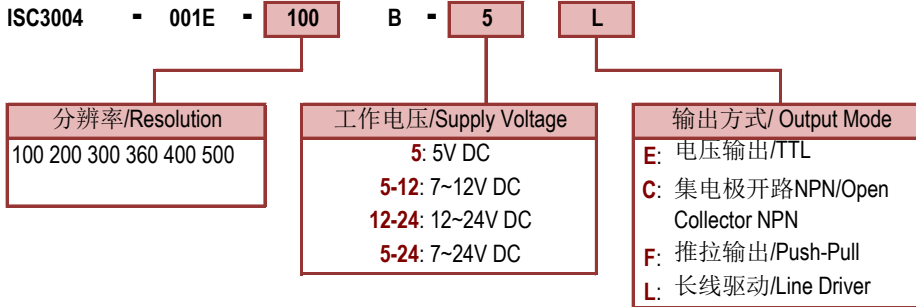
◆ 产品特点

- 体积小, 重量轻, 方便安装
- 2路正交输出信号 (A,B)
- 外径30mm, 轴径4mm

◆ Features

- Miniature size, easy assembling
- 2 quadrature output channel (A&B)
- Housing size 30mm, solid shaft dia. 4mm

◆ 型号说明 Ordering Information



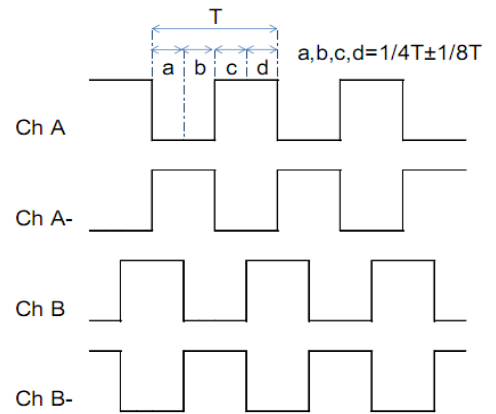
备注 / Note:

- 1 下单前请联系销售人员确认型号
Please contact sales representative to confirm the correctness and availability of the part number
- 2 长线驱动仅5V可选
Line Driver only available with 5V DC option

◆ 技术参数 Technical Specifications

参数/Parameter	标准数值/Typ Value	备注/Note
电源电压/Supply Voltage	DC 5V/7~24V (±10%)	*1 最大响应频率受限于最大转速
最大响应频率/Max. Response Frequency	60 kHz	Max. response frequency is gated by max. rotation speed
最大转速/Max. Rotation Speed (*1)	3000 rpm	
最大消耗电流/Max. Current Consumption	120mA (空载/Unloaded)	
最大上升-下降时间/Max. Rise-Fall Time	200ns (长线驱动/Line Driver)	
最大上升-下降时间/Max. Rise-Fall Time	1us (其他输出/Other Output Mode)	
工作温度/Operating Temperature	-20 ~ 85°C	
储存温度/Storage Temperature	-20 ~ 85°C	
湿度/Humidity	90% 无结露/no condensation	
防护等级/IP Rating	IP54	

◆ 输出波形 Output Waveform



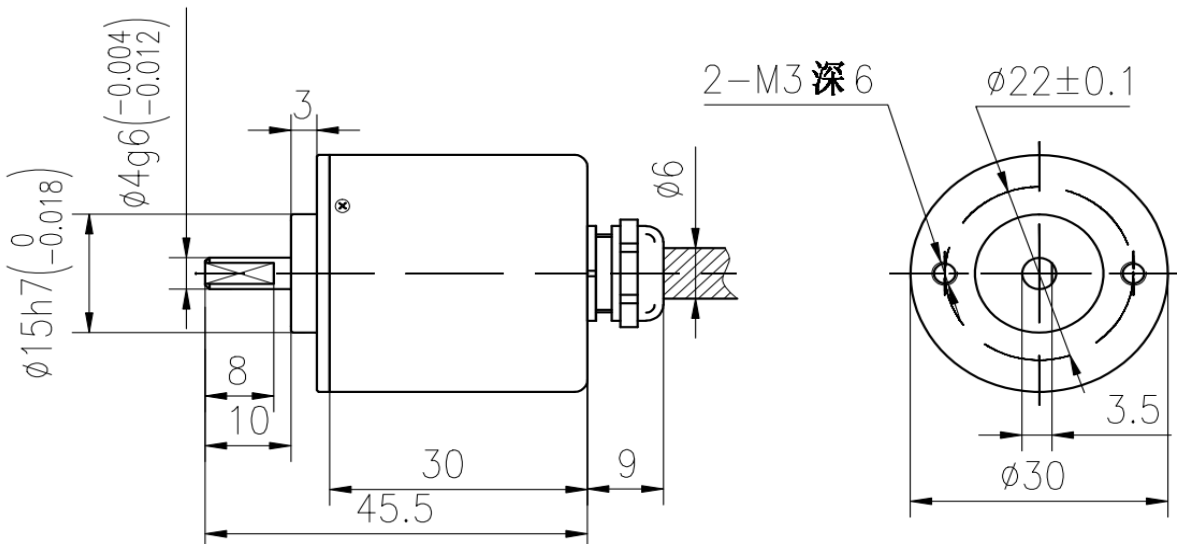
编码器轴端看顺时针方向旋转

Viewed from encoder shaft end, clock wise

◆ 接线表 Connection Table

接线颜色	绿	白	红	黑	屏蔽线	棕	灰
Color of Lead Wire	GN	WH	RD	BK	Shield	BN	GY
输出信号-长线驱动 Output- Line Driver	A+	B+	Vcc	0V	NC	A-	B-
输出信号-其他输出 Output- Other Mode	A+	B+	Vcc	0V	NC	NC	-

◆ 产品尺寸 Dimensions



尺寸单位为毫米, 若无特别说明, 尺寸公差为±0.5mm

Dimensions in mm. Unless otherwise stated, tolerance: ± 0.5mm