



产品特点

- 体积小，重量轻，方便安装
- 2路正交输出信号 (A,B)
- 分辨率高达300脉冲
- 外径22mm，孔径4mm

Features

- Miniature size, easy assembling
- 2 quadrature output channel (A&B)
- Resolution up to 300 cpr
- Housing diameter 22mm, hollow-shaft diameter 4mm

型号说明 Ordering Information

HKT22	04	-	702	C1	-	100	B	-	5	E
孔径/Shaft Dia.	出线方式 Connection	分辨率/Resolution	输出信号 Output Signal	工作电压 Supply Voltage	输出方式/ Output Mode					
02: 2mm 03: 3mm 04: 4mm	C1: 排线 /Ribbon	100 120 200 256 300	B: AB	5: 5V	E: 电压输出/TTL					

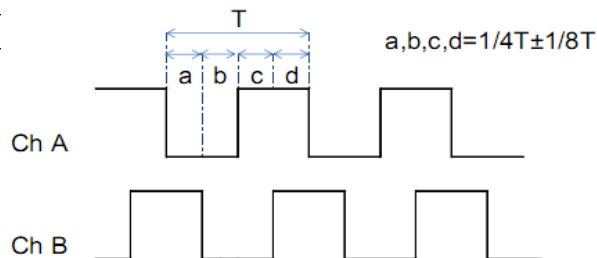
备注 / Note:

1 下单前请联系销售人员确认型号 / Please contact sales representative to confirm the correctness and availability of the part number

技术参数 Technical Specifications

参数/Parameter	标准数值/Typ Value	备注/Note
电源电压/supply Voltage	DC 5V (±10%)	*1 最大响应频率受限于最大转速
最大响应频率/Max. Response Frequency	30 kHz	Max. response frequency is gated by max. rotation speed
最大转速/Max. Rotation Speed (*1)	3000 rpm	
最大消耗电流/Max. Current Consumption	120mA (空载/Unloaded)	
最大上升-下降时间/Max. Rise-Fall Time	1us	
工作温度/Operating Temperature	-20 ~ 85°C (不结冰/unfrozen)	
储存温度/Storage Temperature	-20 ~ 85°C (不结冰/unfrozen)	

输出波形 Output Waveform

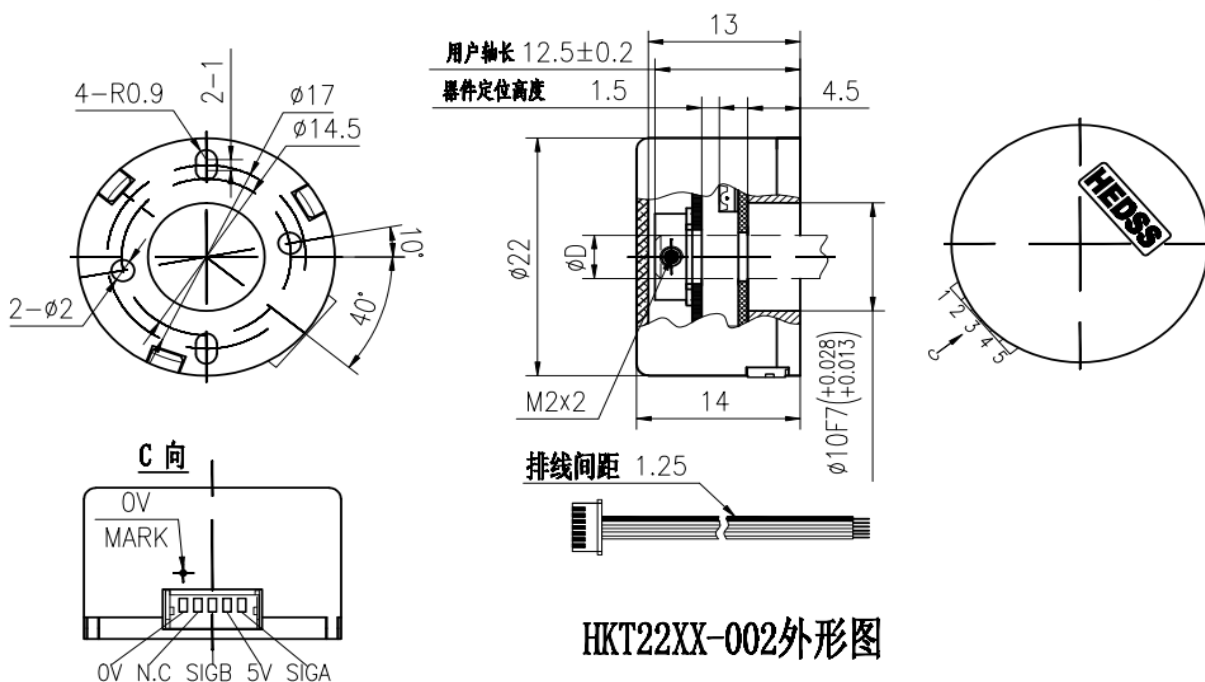


编码器轴端看顺时针方向旋转
View from encoder shaft end, clock wise

接线表 Connection Table

长线驱动 Line Driver	0V	N.C.	B	Vcc	A
排线线号 Ribbon Cable	Color	2	3	4	5

产品尺寸 Dimensions



HKT22XX-002外形图

尺寸单位为毫米，若无特别说明，尺寸公差为±0.5mm

Dimensions in mm. Unless otherwise stated, tolerance: ± 0.5mm